



MODEL SUZUKI VAN VAN 200

YEAR 2016 -->

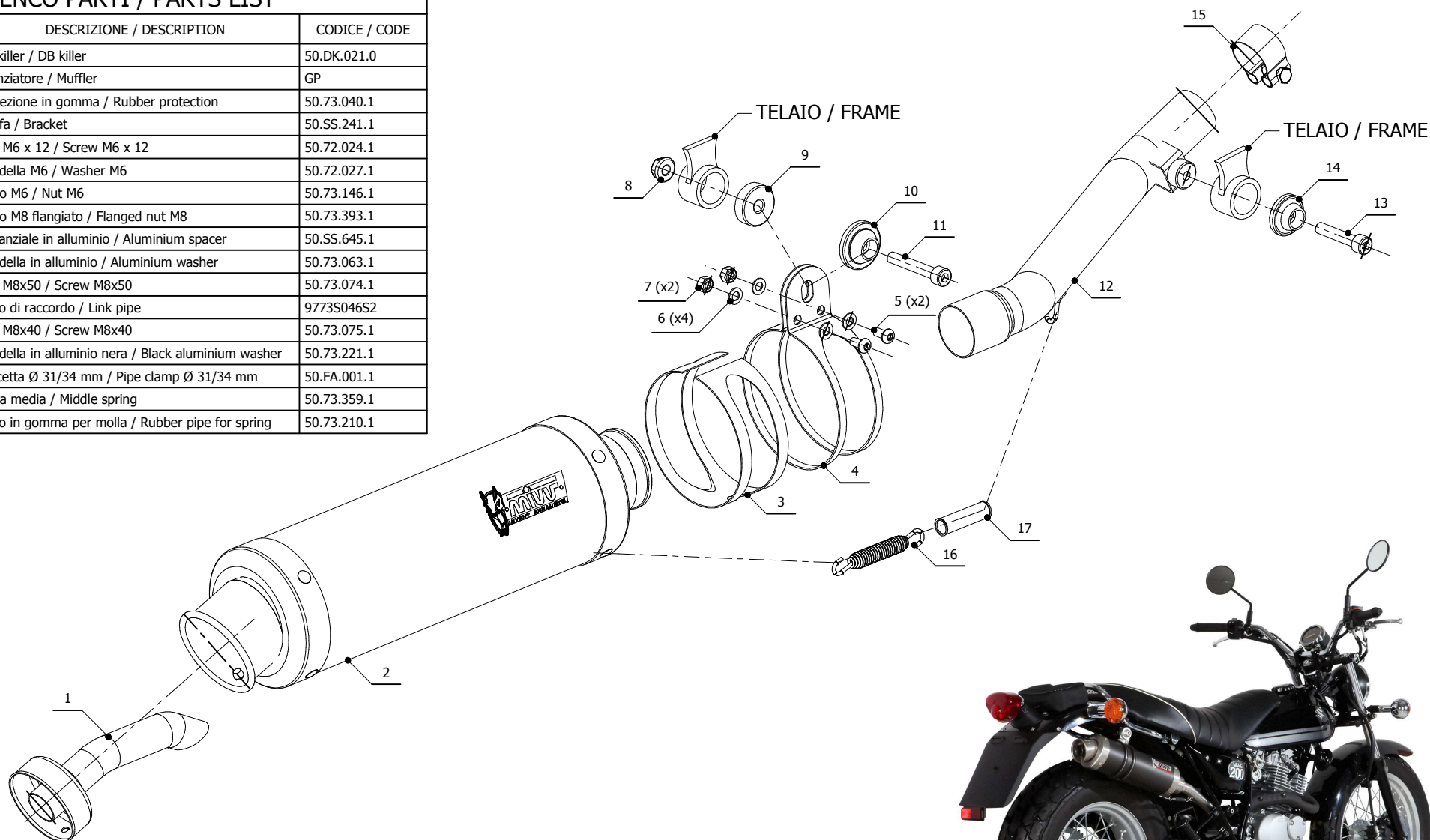
LINE SLIP ON

MUFFLER GP

SCHEMATIC

ELENCO PARTI / PARTS LIST

#	QTÀ / QTY	DESCRIZIONE / DESCRIPTION	CODICE / CODE
1	1	DB killer / DB killer	50.DK.021.0
2	1	Silenziatore / Muffler	GP
3	1	Protezione in gomma / Rubber protection	50.73.040.1
4	1	Staffa / Bracket	50.SS.241.1
5	2	Vite M6 x 12 / Screw M6 x 12	50.72.024.1
6	4	Rondella M6 / Washer M6	50.72.027.1
7	2	Dado M6 / Nut M6	50.73.146.1
8	1	Dado M8 flangiato / Flanged nut M8	50.73.393.1
9	1	Distanziale in alluminio / Aluminium spacer	50.SS.645.1
10	1	Rondella in alluminio / Aluminium washer	50.73.063.1
11	1	Vite M8x50 / Screw M8x50	50.73.074.1
12	1	Tubo di raccordo / Link pipe	9773S046S2
13	1	Vite M8x40 / Screw M8x40	50.73.075.1
14	1	Rondella in alluminio nera / Black aluminium washer	50.73.221.1
15	1	Fascetta Ø 31/34 mm / Pipe clamp Ø 31/34 mm	50.FA.001.1
16	1	Molla media / Middle spring	50.73.359.1
17	1	Tubo in gomma per molla / Rubber pipe for spring	50.73.210.1



APPLICAZIONI / APPLICATIONS

CODICE / CODE	SILENZIATORE / MUFFLER	TUBO / PIPE	FASCETTA / CLAMP
S.046.S2S	CARBONIO / CARBON FIBER		
S.046.S6S	TITANIO / TITANIUM	INOX / ST. STEEL	INOX / ST. STEEL
S.046.SXB	STEEL BLACK		