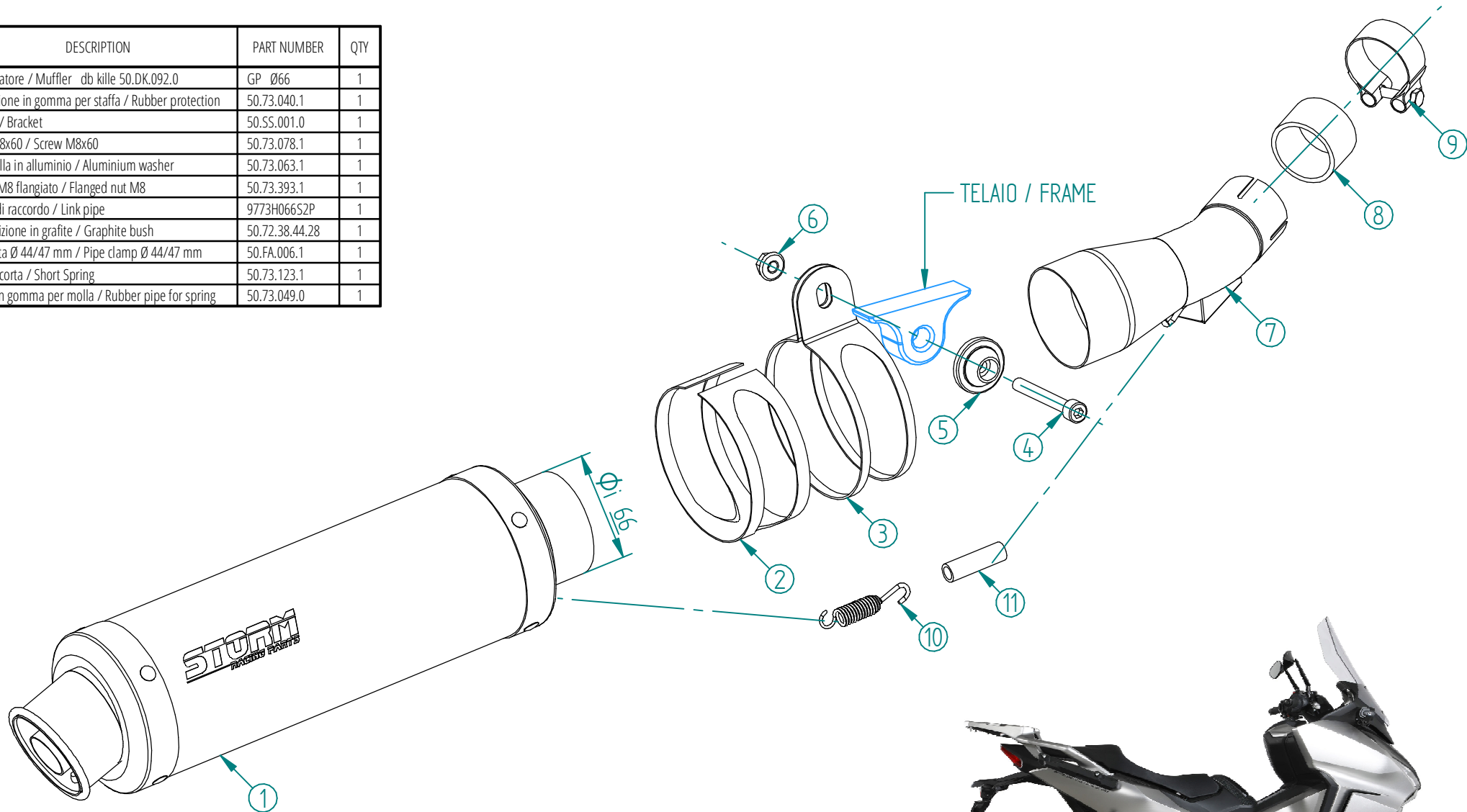


| # | DESCRIPTION | PART NUMBER | QTY |
|----|--|----------------|-----|
| 1 | Silenziatore / Muffler db kille 50.DK.092.0 | GP Ø66 | 1 |
| 2 | Protezione in gomma per staffa / Rubber protection | 50.73.040.1 | 1 |
| 3 | Staffa / Bracket | 50.SS.001.0 | 1 |
| 4 | Vite M8x60 / Screw M8x60 | 50.73.078.1 | 1 |
| 5 | Rondella in alluminio / Aluminium washer | 50.73.063.1 | 1 |
| 6 | Dado M8 flangiato / Flanged nut M8 | 50.73.393.1 | 1 |
| 7 | Tubo di raccordo / Link pipe | 9773H066S2P | 1 |
| 8 | Guarnizione in grafite / Graphite bush | 50.72.38.44.28 | 1 |
| 9 | Fascetta Ø 44/47 mm / Pipe clamp Ø 44/47 mm | 50.FA.006.1 | 1 |
| 10 | Molla corta / Short Spring | 50.73.123.1 | 1 |
| 11 | Tubo in gomma per molla / Rubber pipe for spring | 50.73.049.0 | 1 |



| APPLICAZIONI / APPLICATIONS | | | |
|-----------------------------|------------------------|------------------|------------------|
| CODICE / CODE | SILENZIATORE / MUFFLER | TUBO / PIPE | FASCETTA / CLAMP |
| 74.H.080.LXS | INOX / ST. STEEL | INOX / ST. STEEL | INOX / ST. STEEL |
| 74.H.080.LXSB | STEEL BLACK | | |