



MODEL YAMAHA FZ1 / FZ1 FAZER

YEAR 2006 - 2016

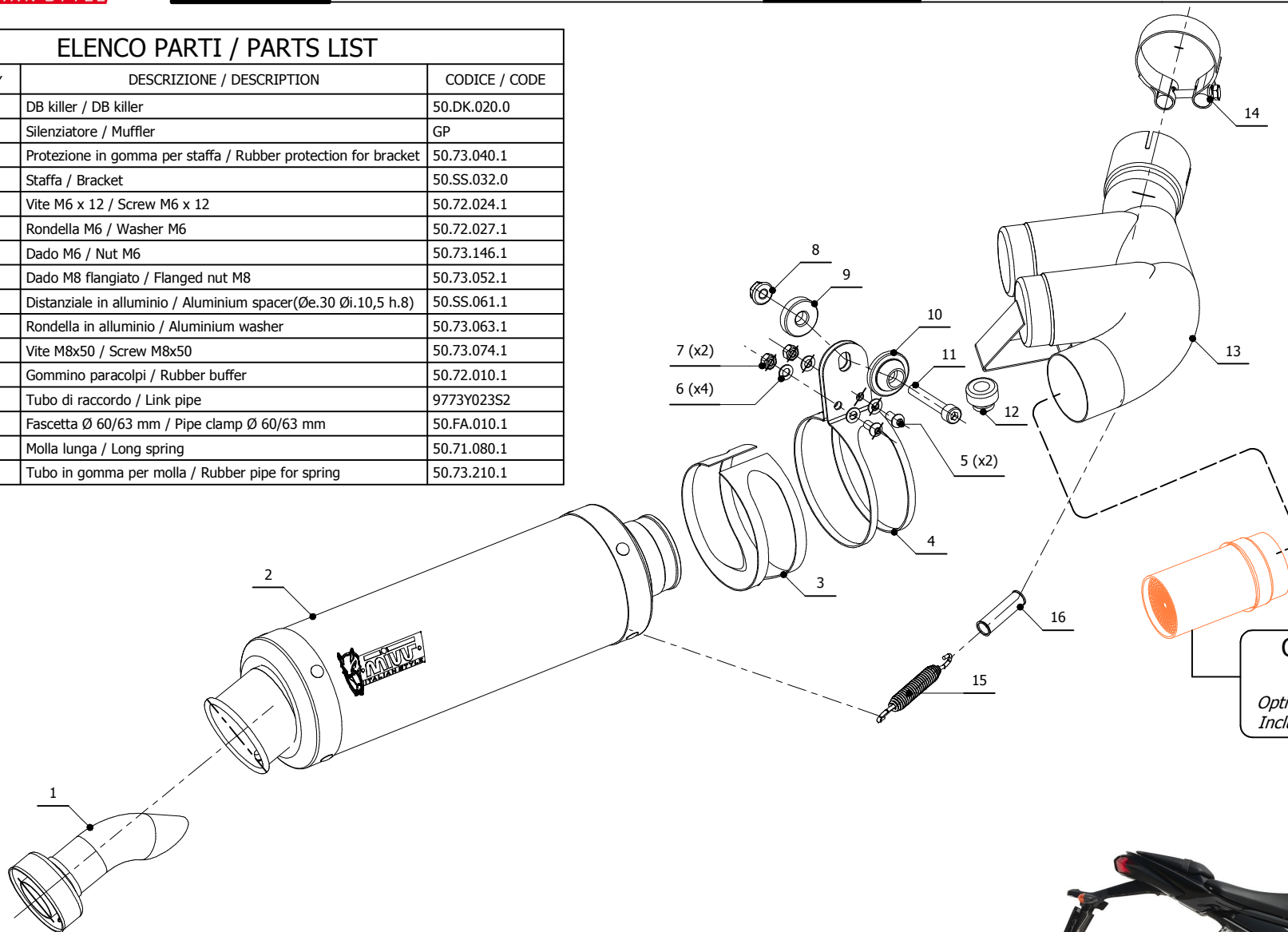
LINE SLIP ON

MUFFLER GP

SCHEMATIC

ELENCO PARTI / PARTS LIST

#	QTÀ / QTY	DESCRIZIONE / DESCRIPTION	CODICE / CODE
1	1	DB killer / DB killer	50.DK.020.0
2	1	Silenziatore / Muffler	GP
3	1	Protezione in gomma per staffa / Rubber protection for bracket	50.73.040.1
4	1	Staffa / Bracket	50.SS.032.0
5	2	Vite M6 x 12 / Screw M6 x 12	50.72.024.1
6	4	Rondella M6 / Washer M6	50.72.027.1
7	2	Dado M6 / Nut M6	50.73.146.1
8	1	Dado M8 flangiato / Flanged nut M8	50.73.052.1
9	1	Distanziale in alluminio / Aluminium spacer(Øe.30 Øi.10,5 h.8)	50.SS.061.1
10	1	Rondella in alluminio / Aluminium washer	50.73.063.1
11	1	Vite M8x50 / Screw M8x50	50.73.074.1
12	1	Gommino paracolpi / Rubber buffer	50.72.010.1
13	1	Tubo di raccordo / Link pipe	9773Y023S2
14	1	Fascetta Ø 60/63 mm / Pipe clamp Ø 60/63 mm	50.FA.010.1
15	1	Molla lunga / Long spring	50.71.080.1
16	1	Tubo in gomma per molla / Rubber pipe for spring	50.73.210.1



Catalytic Converter
Cod. ACC.033.A1
Optional for Y.023.L2S - Y.023.LXB
Included in Y.023.K2S - Y.023.KXB

APPLICAZIONI / APPLICATIONS

CODICE / CODE	SILENZIATORE / MUFFLER	TUBO / PIPE	FASCETTA / CLAMP	NOTE
Y.023.L2S Y.023.LXB	CARBONIO / CARBON FIBER STEEL BLACK	INOX / ST. STEEL	INOX / ST. STEEL	CATALYTIC CONVERTER NOT INCLUDED
Y.023.K2S Y.023.KXB	CARBONIO / CARBON FIBER STEEL BLACK	INOX / ST. STEEL	INOX / ST. STEEL	CATALYTIC CONVERTER INCLUDED

