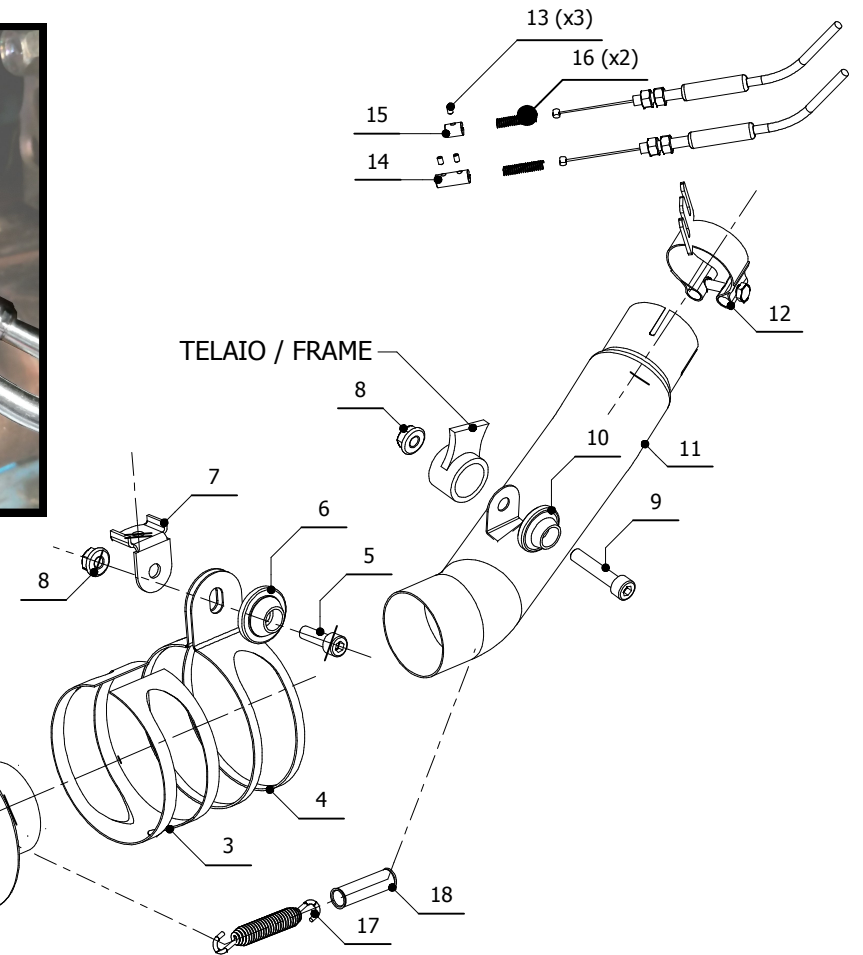


ELENCO PARTI / PARTS LIST

#	QTÀ / QTY	DESCRIZIONE / DESCRIPTION	CODICE / CODE
1	1	DB killer / DB killer	50.DK.067.0
2	1	Silenziatore / Muffler	GP
3	1	Protezione in gomma / Rubber protection	50.73.040.1
4	1	Staffa / Bracket	50.SS.001.0
5	1	Vite M8x25 / Screw M8x25	50.73.064.1
6	1	Rondella in alluminio / Aluminium washer	50.73.063.1
7	1	Staffa / Bracket	50.SS.1004.0
8	2	Dado M8 flangiato / Flanged nut M8	50.73.393.1
9	1	Vite M8x40 / Screw M8x40	50.73.075.1
10	1	Rondella in alluminio nera / Black aluminium washer	50.73.221.1
11	1	Tubo di raccordo/ Link pipe	9773Y063S2
12	1	Fascetta passacavi / fairlead clamp	50.SS.1003.0
13	3	Grani M3 / Grub screws M3	50.73.140.1
14	1	Morsetti in alluminio / Aluminium clamps	50.73.138.1
15	1	Morsetti in alluminio / Aluminium clamps	50.73.139.1
16	2	Molla / Spring	50.73.142.1
17	1	Molla media / Mid-size spring	50.73.359.1
18	1	Tubo in gomma per molla / Rubber pipe for spring	50.73.049.0


APPLICAZIONI / APPLICATIONS

CODICE / CODE	TUBO / PIPE	SILENZIATORE / MUFFLER	FASCETTA / CLAMP
74.Y.063.LXS	INOX / ST. STEEL	INOX / ST. STEEL	INOX / ST. STEEL
74.Y.063.LXSB	STEEL BLACK	INOX / ST. STEEL	INOX / ST. STEEL