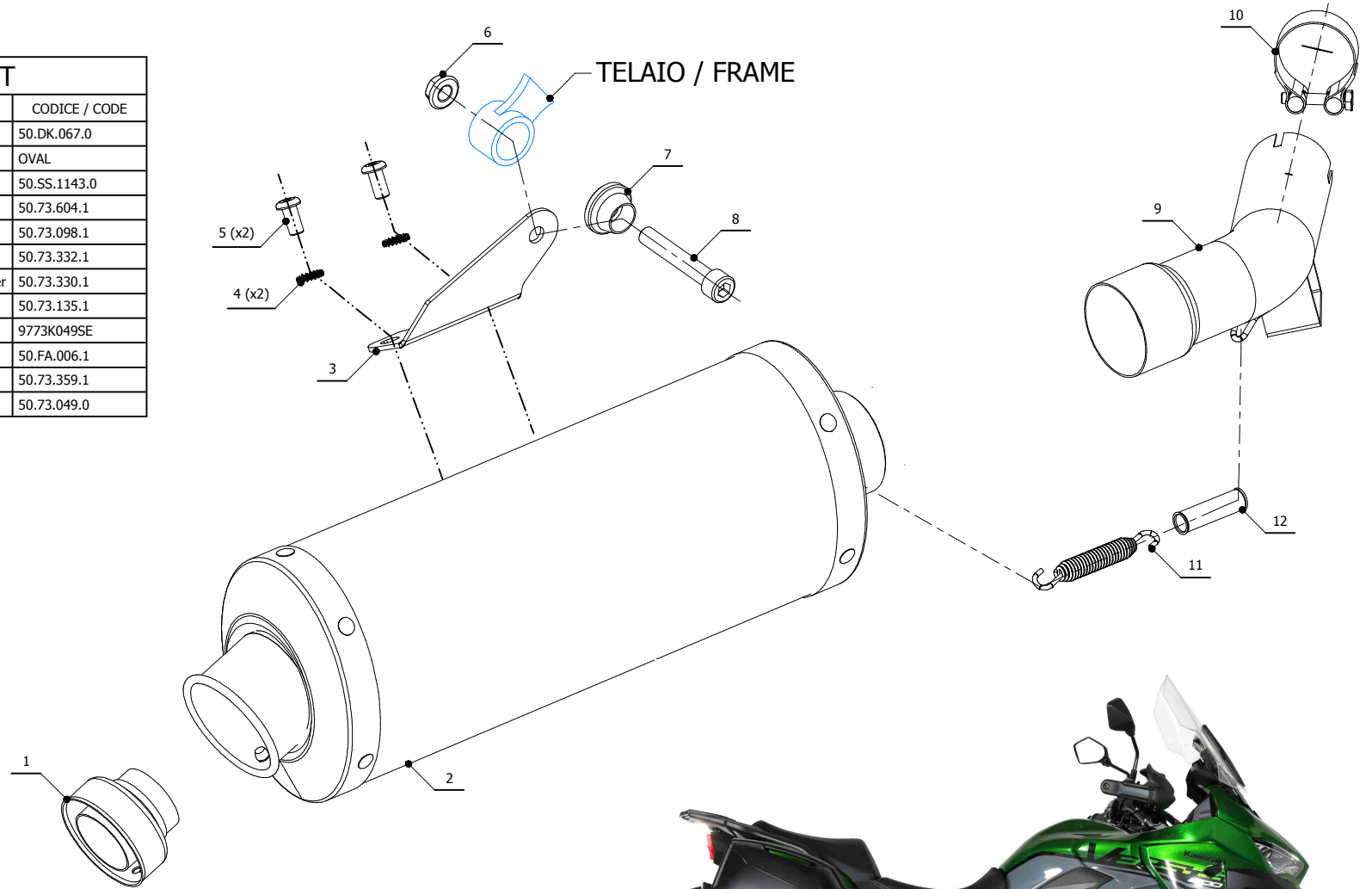


**ELENCO PARTI / PARTS LIST**

#	QTÀ / QTY	DESCRIZIONE / DESCRIPTION	CODICE / CODE
1	1	DB killer / DB killer	50.DK.067.0
2	1	Silenziatore / Muffler L.360	OVAL
3	1	Staffa / Bracket	50.SS.1143.0
4	2	Rondella di sicurezza / Safety washer	50.73.604.1
5	2	Vite M8 x 16 / Screw M8 x 16	50.73.098.1
6	1	Dado M10 flangiato / Flanged nut M10	50.73.332.1
7	1	Rondella in alluminio nera / Black aluminium washer	50.73.330.1
8	1	Vite M10x60 / Screw M10x60	50.73.135.1
9	1	Tubo di raccordo / Link pipe	9773K049SE
10	1	Fascetta Ø 44/47 mm / Pipe clamp Ø 44/47 mm	50.FA.006.1
11	1	Molla media / Mid-size spring	50.73.359.1
12	1	Tubo in gomma per molla / Rubber pipe for spring	50.73.049.0



**APPLICAZIONI / APPLICATIONS**

CODICE / CODE	SILENZIATORE / MUFFLER	TUBO / PIPE	FASCETTA / CLAMP
74.K.049.LX2	INOX / ST.STEEL	INOX / ST.STEEL	INOX / ST.STEEL
74.K.049.LX2B	STEEL BLACK		

